

Order designation: JM_B - stroke force - stroke LA
Example: JMAB - 500 - 300 LA

Short description

With the electric motor drive mounted into a secured plastic housing the roof flaps and light domes are opened. The design of the motor opener with its great variety of accessories allows for a broad range of applications. The motor can be operated in parallel.

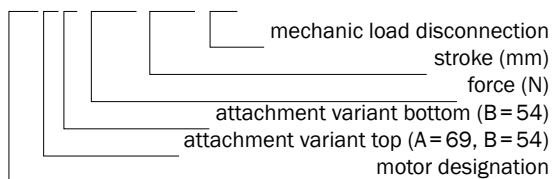
The motor opener designed with a maintenance-free spindle drive and non-rotating lifting rod is provided with a mechanical load disconnection in the "Close" direction (automatic switch-off with a tensile force > 250 N). Thus the eyebolt is not set here. The drive switch-off in the "Open" direction is performed by the end switch.

Due to the high quality plastic construction a protective conductor is not necessary!

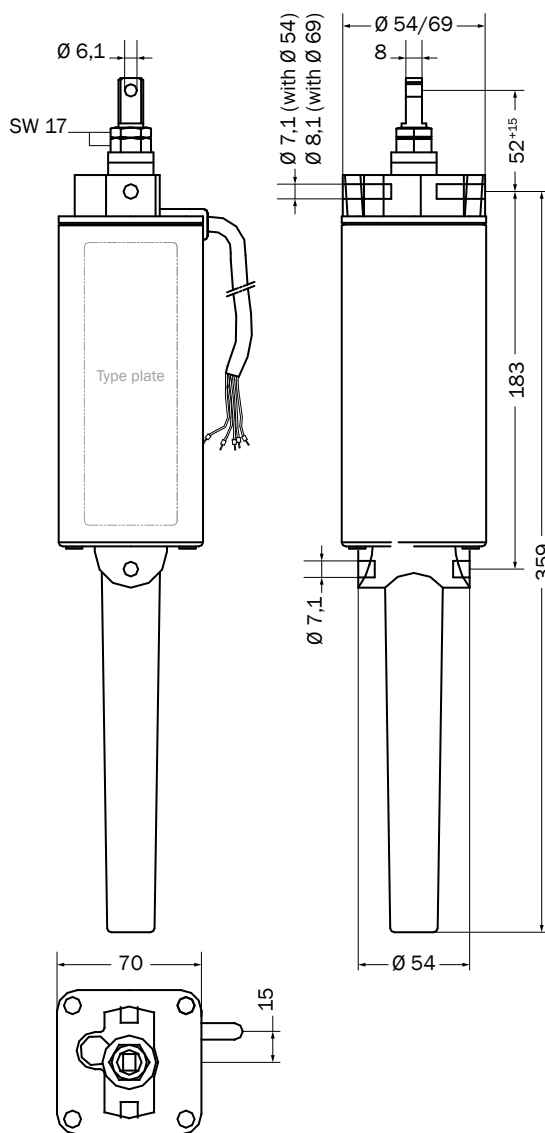
Technical data

| | |
|--|---|
| connection cable | H05RN-F 5 x 0,75 mm ² approx. 1.4 m lg. (RAL 9002 = grey white) |
| operation mode | S2 - 1 min. |
| colour | similar to RAL 9002 (grey white) |
| frequency | 50 Hz |
| weight | 2,0 kg |
| stroke | 300 mm |
| stroke/tensile force | 500 N/250 N |
| stroke time | approx. 30 s |
| power consumption | 140 W/0,6 A |
| max. stat. suction load (tensile load) | 3300 N |
| protection class | IP 54 |
| voltage | 230 V AC |
| thermal protection | 115 °C |
| ambient temperature | -5 °C to +60 °C |
| maintenance | free |

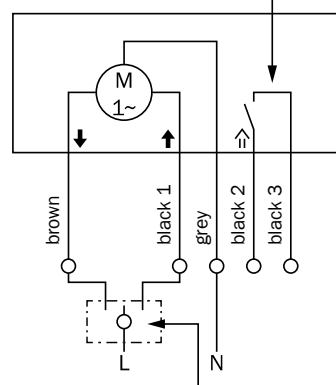
The motor opener has a capacity of 10000 ventilation cycles.

Type codes
JM X B - XXX - XXX - LA

Accessories

| | |
|--------------------------|--|
| eyebolt | (when not a series) |
| electric test connection | →chapter 11.1, page 301, "Motor Test Device 230 V AC" |
| pivot support | →chapter 6.2, page 221, "Pivot Support FB 6/8" |
| bracket | →chapter 6.2, page 226, "Bracket KB 2 for Motor Opener 230 V AC" →chapter 6.2, page 227, "Bracket KB-KF for 230 V Motor Opener" |


Circuit diagram

Display in each opened position.
 Potential free contact (max. 250 V/4A)



Electromechanic locking required!
 Circuit diagram shows position „Close“.