

Installation Instruction

The motor can be operated in tandem. It must be noted that the motor opener is operated in short-time duty. The motor opener is equipped with a thermal protection switch-off. After several activations (4 – 6 times subsequently), a thermal switch-off can be performed. When the switch-on time is exceeded in tandem operation a thermal switch-off can be performed, causing damages of the flap.

Control

Parallel operation of the motor is possible due to an internal separating relay. The drives must be controlled via an electromechanically locked building component, which prevents the motor from a simultaneous voltage connection in both the “Open” and “Close” direction.

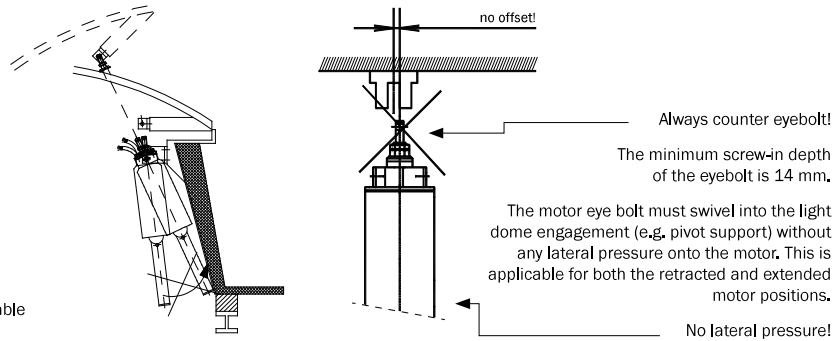
The manufacturer does not assume any liability for an unprofessional installation or undue operation.

Safety instructions

On the installation side, an all-pole disconnecting device from according to EN 60335-1:2007-2 (VDE 0700 part 1 paragraph 7.12.2) is provided. The opening of the motor opener or exchange of the connection line may only be performed by a repair workplace authorized by the manufacturer.

The directives BGR 232 for power-controlled windows, doors and gates must be complied with (source: Federation of institutions for statutory accident insurance and prevention (Hauptverband der gewerblichen Berufsgenossenschaften)). A mounting height of minimum 2,5 m is observed.

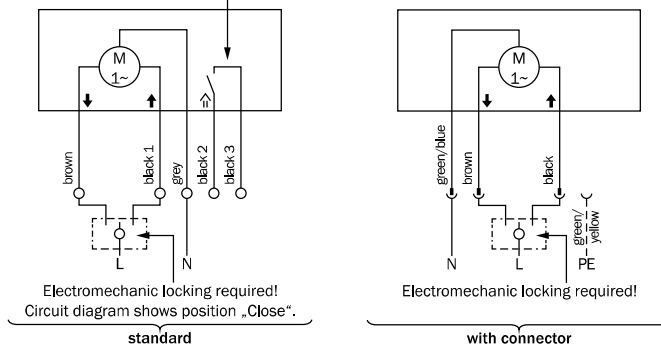
The motor opener must be able to swing freely!



**The connection is only performed by a specialist.
The installation provisions according to DIN VDE 0100 must be complied with.**

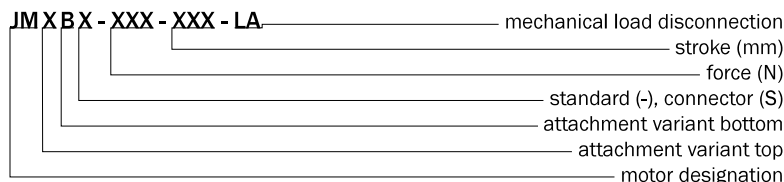
Circuit diagrams

Display in each opened position.
Potential free contact (max. 250 V/4A)



Type codes

The motor opener JM - type LA does not require any maintenance.



Example:
JMBS-500-300-LA
JMABS-500-300-LA